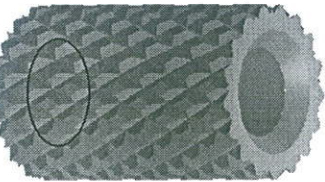
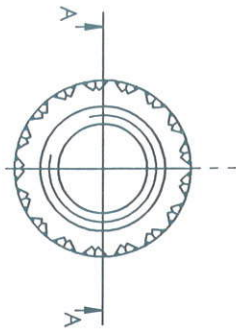


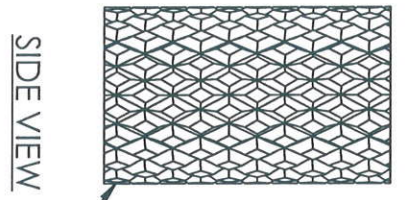
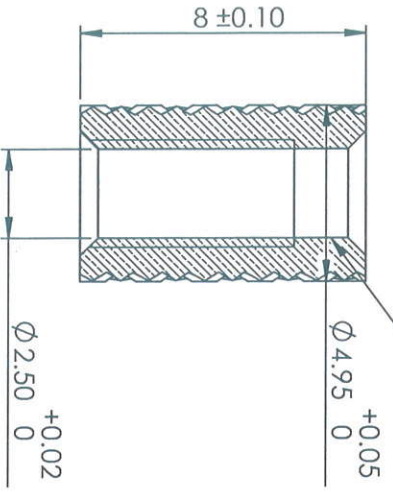
PART NO	REV
CM-MG0607-AA	A



TOP VIEW

M3X0.5 RH THREAD

ISOMETRIC VIEW



SECTION A-A  
SCALE 5 : 1

DIAMOND  
KNURLING

REV	DRAWING RELEASE	LOC	BY	E.N.	DATE
A		--	--	--	16-8-23
REV	DESCRIPTION OF CHANGE	LOC	BY	E.N.	DATE

GENERAL TOLERANCES					
DIMENSIONS	0.5 6	6 30	30 120	120 400	400 1000
TOLERANCES ±	0.1	0.2	0.3	0.4	0.8

ALL RIGHTS RESERVED  
**MAYA APPLIANCES(P) LTD,**  
CHENNAI-97  
INDIA.

ANGULAR TOLERANCES ±/2	CONCENTRICITY- $\phi$ 0.1				
REFERENCE	--	CRTICAL DIMENSIONS	PART NO: CM-MG0607-AA		
ASSEMBLY	MG	DENSITY (g/mm <sup>3</sup> )	DRAWN BY ANAND		
MODEL	--	MASS (Kg)	CHECKED BY <i>[Signature]</i>		
DO NOT MEASURE FROM DRAWING REMOVE BURRS & SHARP EDGES	THIRD ANGLE PROJECTION		APPD BY <i>[Signature]</i>		DATE <i>6-6-24</i>
SCALE:4:5:1	TITLE	INSERT BRASS M3X8(DIAMOND KNURLING)	SHEET SIZE	A4	
			SHEET 1 OF 1		

REV	DATE
A	6-6-24

REV	DATE
A	6-6-24

REV	DATE
A	6/6/24

REV	DATE
A	6/6/24