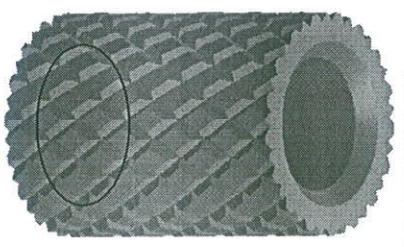
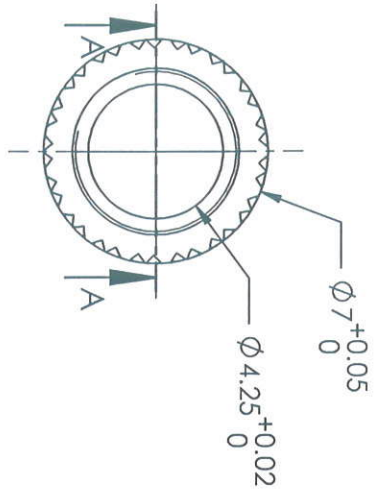
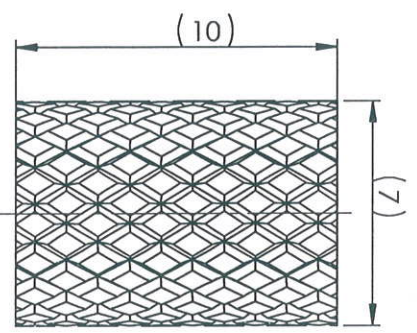
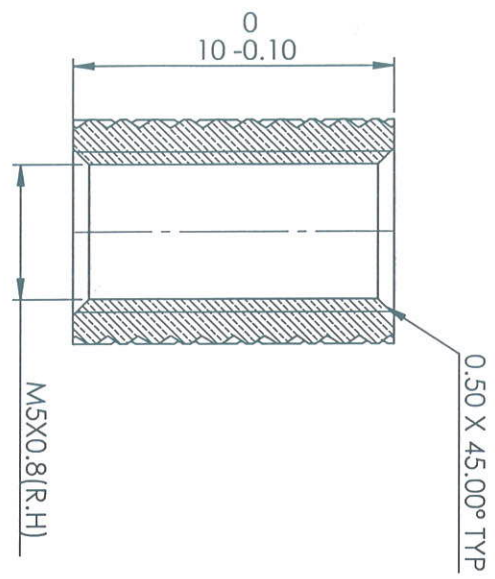


PART NO	REV
CM-MG0012-AA	B



TOP VIEW

ISOMETRIC VIEW



SECTION A-A

SIDE VIEW

REV	DESCRIPTION OF CHANGE	LOC	BY	E.N.	DATE
B	STRAIGHT KNURLING REPLACED BY DIAMOND KNURLING	--	--	--	17-08-2016
A	DRAWING RELEASE	--	--	--	30-04-2016

GENERAL TOLERANCES	
DIMENSIONS	0.5 / 6
TOLERANCES ±	0.1

ALL RIGHTS RESERVED
MAYA APPLIANCES(P) LTD,
 CHENNAI-97
 INDIA.

GENERAL TOLERANCES		MATERIAL	BRASS	GRADE	FINISH
ANGULAR TOLERANCES ±/2	CONCENTRICITY- ϕ 0.1	COLOUR	NATURAL	FINISH	--

REFERENCE	ASSEMBLY	MODEL	DO NOT MEASURE FROM DRAWING REMOVE BURRS & SHARP EDGES
--	MG	--	DO NOT MEASURE FROM DRAWING REMOVE BURRS & SHARP EDGES

SCALE:4.5:1	TITLE	INSERT BRASS M5X10(DIAMOND KNURLING)	SHEET SIZE	SHEET 1 OF 1
4.5:1	INSERT BRASS M5X10(DIAMOND KNURLING)	INSERT BRASS M5X10(DIAMOND KNURLING)	A4	1

SCALE:4.5:1	TITLE	INSERT BRASS M5X10(DIAMOND KNURLING)	SHEET SIZE	SHEET 1 OF 1
4.5:1	INSERT BRASS M5X10(DIAMOND KNURLING)	INSERT BRASS M5X10(DIAMOND KNURLING)	A4	1